



## Residential Electric Replacement Parts List

### Upright, Lowboy, & High Efficiency Upright Models



#### Models Covered:

RE2(40,50)S\*

RE3(30,40,50)S\*

RE2(50,55)T\*

RE250T\* Alternate

RE2(40,50)L\*

RE1(20,30)L\*

RE2(30,40,50)L(N)

RE3(40,50,80,120)T\*

\*Denotes warranty year

*Effective: August, 2024*  
*ECO 8831*

**NOTE: BOTH MODEL AND SERIAL  
NUMBERS ARE REQUIRED FOR  
ORDERING REPLACEMENT PARTS**

Dimensions and specifications subject  
to change without notice.

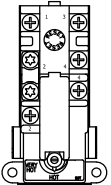


As required by the state of California Proposition 65.

**TOP LOCATION**

- Double element water heater, non-simultaneous single phase and three phase operation.

59T66T



415-51046-00

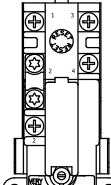
**TOP LOCATION**

- Double element water heater, simultaneous operation.

**BOTTOM LOCATION**

- Single element water heater.
- Double element water heater, non-simultaneous three phase operation.
- Double element water heater, simultaneous operation.

59T66T

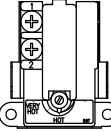


415-50691-00

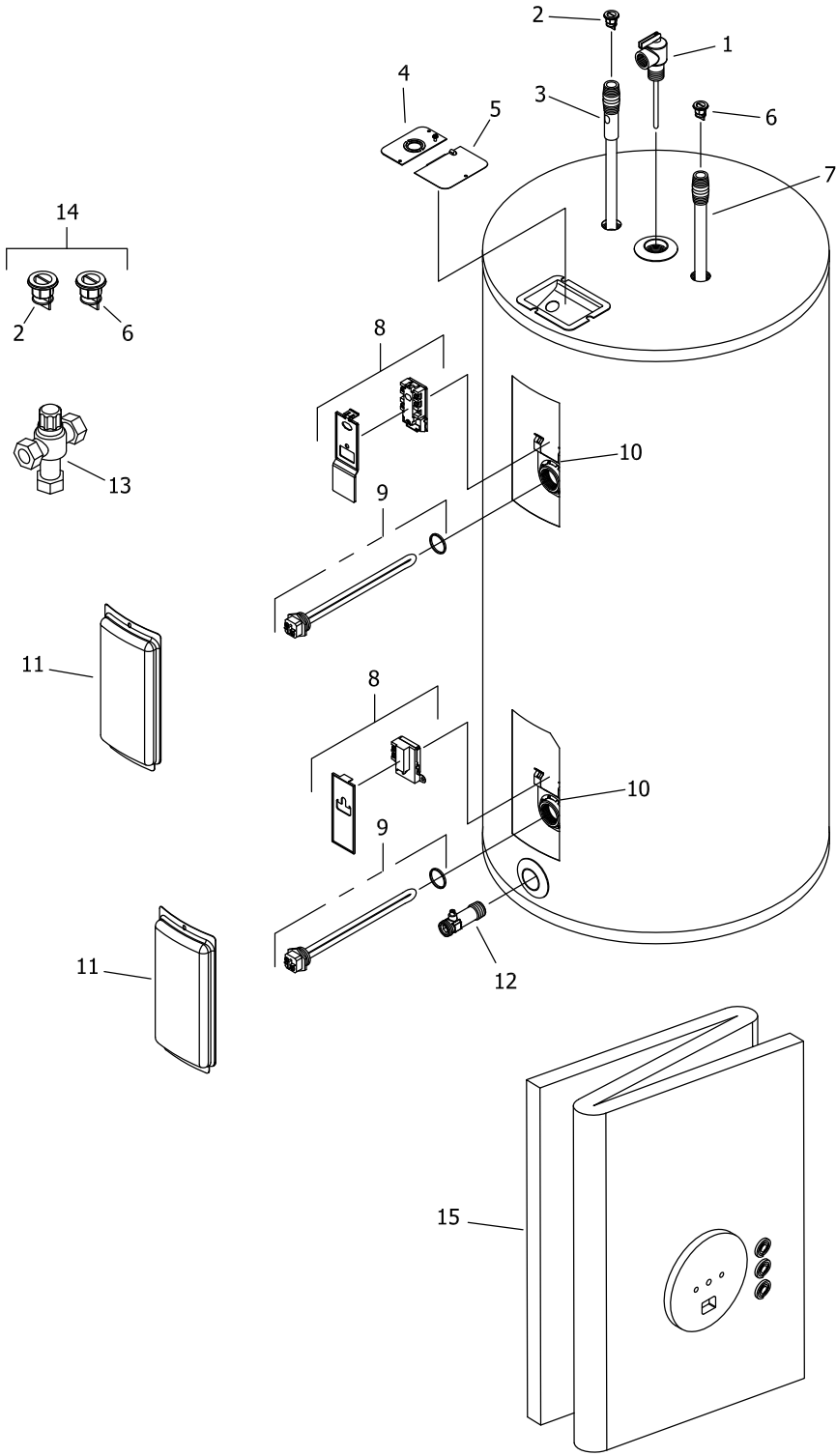
**BOTTOM LOCATION**

- Double element water heater, non-simultaneous single phase operation

59T



415-51046-00



Item	Description	Model RE240S	Model RE250S	Model RE330S	Model RE340S	Model RE350S
1	T&P Relief Valve	415-40594-02	415-40594-02	415-40594-02	415-40594-02	415-40594-02
2	Heat Trap Insert (Outlet)	415-45167-00	415-45167-00	415-45167-00	415-45167-00	415-45167-00
3	Hot Water Outlet Anode (Magnesium) ♦#	415-47776-19	415-47776-19	415-47776-19	415-47776-19	415-47776-19
	Hot Water Outlet Anode (Aluminum) ♦#	415-32999-28	415-32999-28	415-32999-28	415-32999-28	415-32999-28
	Hot Water Outlet Anode (A420 Aluminum) ♦#	415-49560-10	415-49560-10	415-49560-10	415-49560-10	415-49560-10
4	Cover Conduit/Ground w/ Ground Screw	239-55386-00	239-55386-00	239-55386-00	239-55386-00	239-55386-00
5	Cover Junction Box	243-39452-00	243-39452-00	243-39452-00	243-39452-00	243-39452-00
6	Heat Trap Insert (Inlet)	415-51556-00	415-51556-00	415-51556-00	415-51556-00	415-51556-00
7	Cold Water Inlet Tube PEX ♦♦	415-51230-21	415-51230-21	415-51230-21	415-51230-21	415-51230-21
8	Upper Thermostat with High Limit (59T66) & Protector ▲■	415-51046-00	415-51046-00	415-51046-00	415-51046-00	415-51046-00
	Lower Thermostat (59T66) w/ Protector ▲■	415-51046-00	415-51046-00	415-51046-00	415-51046-00	415-51046-00
	Lower Thermostat with High Limit (59T66) ▲	415-50691-00	415-50691-00	415-50691-00	415-50691-00	415-50691-00
9	Heating Element 240V 4500W w/ Gasket μ	415-48642-00	415-48642-00	415-48642-00	415-48642-00	415-48642-00
10	Thermostat Mounting Bracket	415-50689-00	415-50689-00	415-50689-00	415-50689-00	415-50689-00
11	Access Cover	221-36618-02	221-36618-02	221-36618-02	221-36618-02	221-36618-02
12	Drain Valve	415-51684-01	415-51684-01	415-51684-02	415-51684-02	415-51684-02
13	ASSE Approved Mixing Valve	239-51778-00	239-51778-00	239-51778-00	239-51778-00	239-51778-00
14	Kit-Heat Trap Insert (PEX)	265-51572-00	265-51572-00	265-51572-00	265-51572-00	265-51572-00
15	Blanket Kit	239-50210-01	239-50210-02	---	---	---

♦ Order with item 2.

♦♦ Order with item 6.

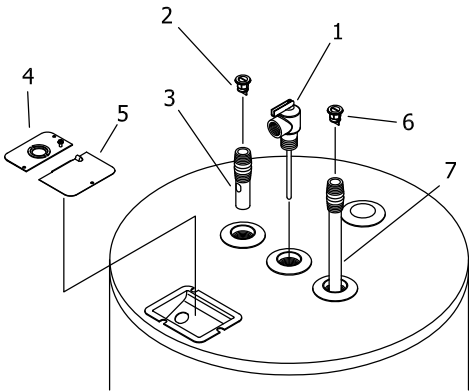
▲ Thermostat protector provided with thermostat. The thermostat mounting bracket is also provided with the thermostat.

μ For other voltage and wattage combinations, refer to heating elements on page 12 & 13.

■ Upper and lower thermostats are packaged together.

# Anode may need to be cut to length, please see page 14 for reference chart of anode length by model.

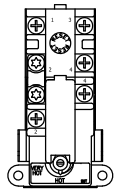
**RE250T ALTERNATE CONSTRUCTION\***



**TOP LOCATION**

- Double element water heater, non-simultaneous single phase and three phase operation.

59T66T



415-51046-00

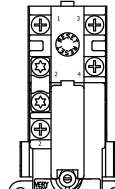
**TOP LOCATION**

- Double element water heater, simultaneous operation.

**BOTTOM LOCATION**

- Single element water heater.
- Double element water heater, non-simultaneous three phase operation.
- Double element water heater, simultaneous operation.

59T66T

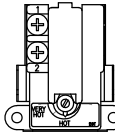


415-50691-00

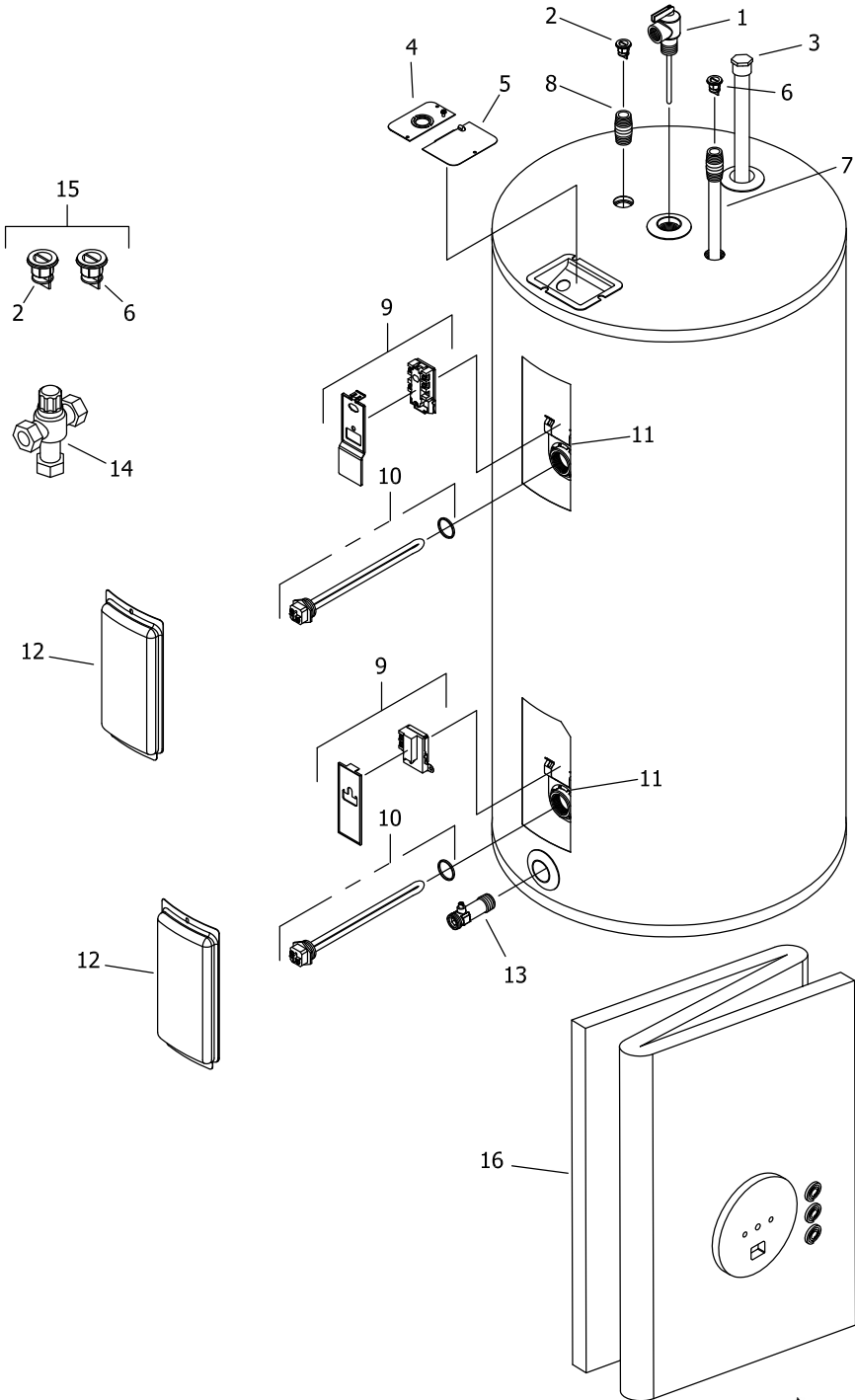
**BOTTOM LOCATION**

- Double element water heater, non-simultaneous single phase operation

59T



415-51046-00



Item	Description	Model	Model
		RE250T	RE250T Alternate*
1	T&P Relief Valve	415-40594-02	415-40594-02
2	Heat Trap Insert (Outlet)	415-45167-00	415-45167-00
3	Hot Water Outlet Anode (Magnesium) ♦#	---	415-47776-19
	Hot Water Outlet Anode (Aluminum) ♦#	---	415-32999-28
	Hex head Sacrificial Anode (Aluminum) ♦#	415-38508-07	---
	Hot Water Outlet Anode (A420 Aluminum) ♦#	---	415-49560-10
4	Cover Conduit/Ground w/ Ground Screw	239-55386-00	239-55386-00
5	Cover Junction Box	243-39452-00	243-39452-00
6	Heat Trap Insert (Inlet)	415-51556-00	415-51556-00
7	Cold Water Inlet Tube PEX ♦♦	229-51718-05	229-51718-05
8	Nipple outlet	415-50053-06	---
9	Upper Thermostat with High Limit (59T66) & Protector ▲■	415-51046-00	415-51046-00
	Lower Thermostat (59T) w/ Protector ▲■	415-51046-00	415-51046-00
	Lower Thermostat with High Limit (59T66) ▲	415-50691-00	415-50691-00
10	Heating Element 240V 4500W w/ Gasket μ (qty 2)	415-48642-00	415-48642-00
11	Thermostat Mounting Bracket	415-50689-00	415-50689-00
12	Access Cover	221-36618-02	221-36618-02
13	Brass Drain Valve	415-51684-01	415-51684-01
14	ASSE Approved Mixing Valve	239-51778-00	239-51778-00
15	Kit-Heat Trap Insert (PEX)	265-51572-00	265-51572-00
16	Blanket Kit	---	---

♦ Order with item 2.

♦♦ Order with item 6.

▲ Thermostat protector provided with thermostat. The thermostat mounting bracket is also provided with the thermostat.

μ For other voltage and wattage combinations, refer to heating elements on page 12 & 13.

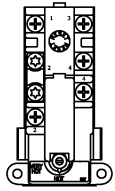
■ Upper and lower thermostats are packaged together.

# Anode may need to be cut to length, please see page 14 for reference chart of anode length by model.

\* See RE250T alternate construction on page 4.

**TOP LOCATION**

- Double element water heater, non-simultaneous single phase and three phase operation.



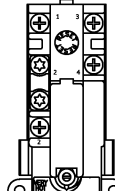
59T66T  
415-51046-00

**TOP LOCATION**

- Double element water heater, simultaneous operation.

**BOTTOM LOCATION**

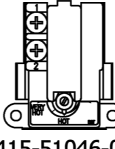
- Single element water heater.
- Double element water heater, non-simultaneous three phase operation.
- Double element water heater, simultaneous operation.



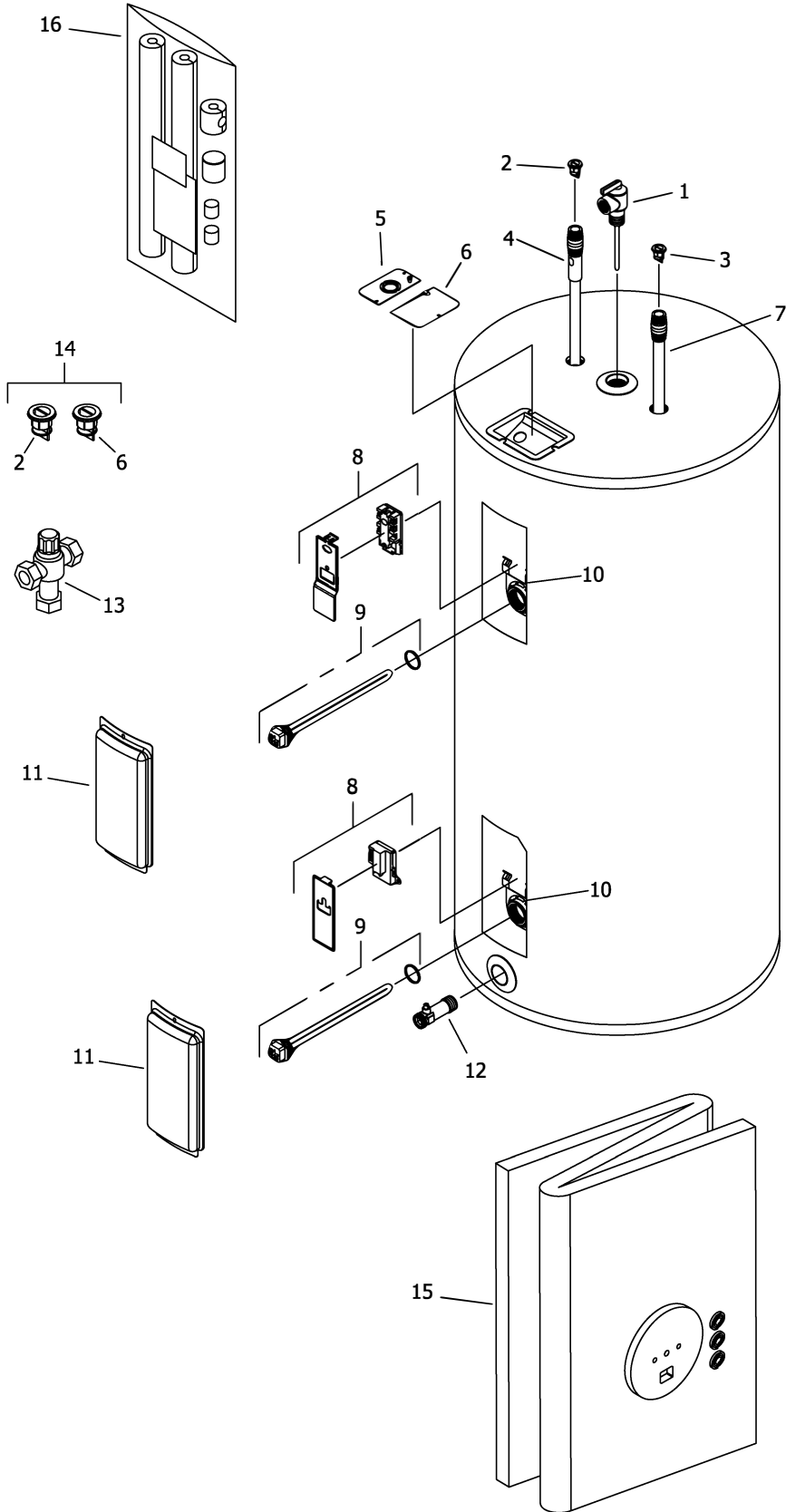
59T66T  
415-50691-00

**BOTTOM LOCATION**

- Double element water heater, non-simultaneous single phase operation



59T  
415-51046-00



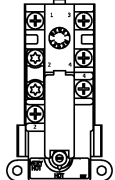
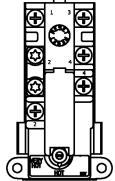
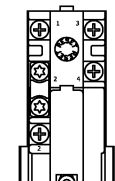
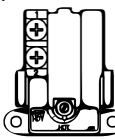
Item	Description	Model RE240L
1	T&P Relief Valve	415-40594-02
2	Heat Trap Insert (Inlet)	415-51556-00
3	Heat Trap Insert (Outlet)	415-45167-00
4	Hot Water Outlet Anode (Magnesium) ♦#	415-47776-19
	Hot Water Outlet Anode (Aluminum) ♦#	415-32999-28
	Hot Water Outlet Anode (A420 Aluminum) ♦#	415-49560-10
5	Cover Conduit/Ground w/ Ground Screw	239-55386-00
6	Cover Junction Box	243-39452-00
7	Cold Water Inlet Tube Pex ♦♦	415-51230-27
8	Upper Thermostat with High Limit (59T66) w/ Protector ▲■	415-51046-00
	Lower Thermostat (59T) w/ Protector ▲■	415-51046-00
	Lower Thermostat with High Limit (59T66) ▲	415-50691-00
9	Heating Element 240V 4500W w/ Gasket μ (qty 2)	415-48642-00
10	Thermostat Mounting Bracket	415-50689-00
11	Access Cover	221-36618-02
12	Drain Valve	415-51684-01
13	ASSE Approved Mixing Valve	239-51778-00
14	Kit-Heat Trap Insert (PEX)	265-51572-00
15	Blanket Kit	239-54891-00
16	Insulation Kit	239-48949-00

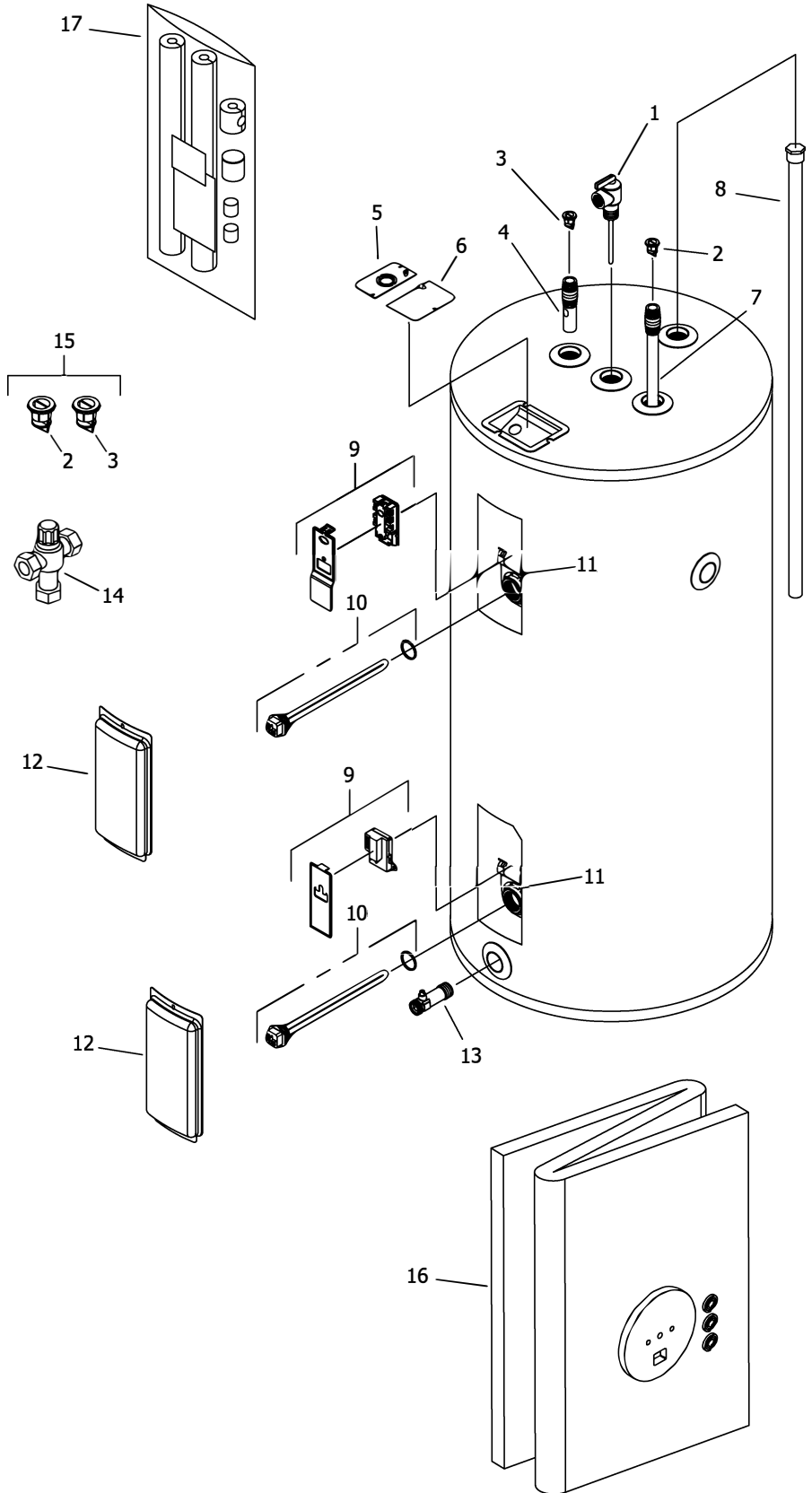
▲ Thermostat protector provided with thermostat. The thermostat mounting bracket is also provided with the thermostat.

μ For other voltage and wattage combinations, refer to heating elements on page 12 & 13.

■ Upper and lower thermostats are packaged together.

# Anode may need to be cut to length, please see page 14 for reference chart of anode length by model.

<p><b>TOP LOCATION</b></p> <ul style="list-style-type: none"> <li>RE250L(N) &amp; RE255T water heater, non-simultaneous single phase and three phase operation.</li> </ul> <p>59T66T</p>  <p>415-54052-00</p>
<p><b>TOP LOCATION</b></p> <ul style="list-style-type: none"> <li>Double element water heater, non-simultaneous single phase and three phase operation except RE250L(N) &amp; RE255T.</li> </ul> <p>59T66T</p>  <p>415-51046-00</p>
<p><b>TOP LOCATION</b></p> <ul style="list-style-type: none"> <li>Double element water heater, simultaneous operation.</li> </ul> <p><b>BOTTOM LOCATION</b></p> <ul style="list-style-type: none"> <li>Single element water heater.</li> <li>Double element water heater, non-simultaneous three phase operation.</li> <li>Double element water heater, simultaneous operation.</li> </ul> <p>59T66T</p>  <p>415-50691-00</p>
<p><b>BOTTOM LOCATION</b></p> <ul style="list-style-type: none"> <li>Double element water heater, non-simultaneous single phase operation</li> </ul> <p>59T</p>  <p>415-51046-00</p>





Item	Description	Model RE120L	Model RE130L	Model RE230LN	Model RE240LN	Model RE250L(N)	Model RE255T
1	T&P Relief Valve	415-40594-02	415-40594-02	415-40594-02	415-40594-02	415-40594-02	415-40594-04
2	Heat Trap Insert (Inlet)	---	415-51556-00	415-51556-00	415-51556-00	415-51556-00	415-51556-00
3	Heat Trap Insert (Outlet)	---	415-45167-00	415-45167-00	415-45167-00	415-45167-00	415-45167-00
4	Hot Water Outlet Device ♦	---	229-51995-00	229-51995-00	229-51858-00	229-51858-00	229-50053-06
5	Cover Conduit/Ground w/ Ground Screw	239-55386-00	239-55386-00	239-55386-00	239-55386-00	239-55386-00	239-55386-00
6	Cover Junction Box	243-39452-00	243-39452-00	243-39452-00	243-39452-00	243-39452-00	243-39452-00
7	Cold Water Inlet Tube PEX ♦	415-51230-01	229-51718-03	229-51718-03	229-52007-01	229-51718-02	229-51718-05
8	Hex head Sacrificial Anode (Magnesium) #	415-47782-08	415-47782-08	415-47782-08	415-47782-08	415-47782-08	415-47782-08
	Hex head Sacrificial Anode (Aluminum) #	415-38508-10	415-38508-10	415-38508-10	415-38508-10	415-38508-10	415-38508-10
	Hex head Sacrificial Anode (A420 Aluminum) #	415-49559-04	415-49559-04	415-49559-04	415-49559-04	415-49559-04	415-49559-04
9	Upper Thermostat with High Limit (59T66) & Protector ▲■	415-51046-00	415-51046-00	415-51046-00	415-51046-00	415-54052-00	415-54052-00
	Lower Thermostat (59T) w/ Protector ▲■	415-51046-00	415-51046-00	415-51046-00	415-51046-00	415-54052-00	415-54052-00
	Lower Thermostat with High Limit (59T66) ▲	415-50691-00	415-50691-00	415-50691-00	415-50691-00	415-50691-00	415-50691-00
10	Heating Element 240V 4500W w/ Gasket μ (qty 2)	415-48642-00	415-48642-00	415-48642-00	415-48642-00	415-48642-00	415-48642-00
11	Thermostat Mounting Bracket	415-50689-00	415-50689-00	415-50689-00	415-50689-00	415-50689-00	415-50689-00
12	Access Cover	221-36618-02	221-36618-02	221-36618-02	221-36618-02	221-36618-02	221-36618-02
13	Brass Drain Valve	415-42351-02	415-42351-02	415-51684-02	415-51684-02	415-51684-01	415-51684-02
14	ASSE Approved Mixing Valve	239-51778-00	239-51778-00	239-51778-00	239-51778-00	239-51778-00	239-51778-00
15	Kit-Heat Trap Insert (PEX)	---	265-51875-00	265-51875-00	265-51875-00	265-51875-00	265-51572-00
16	Blanket Kit	---	239-54890-00	---	---	---	---
17	Insulation Kit	---	239-48949-00	239-48949-00	239-48949-00	239-48949-00	---

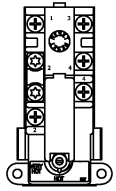
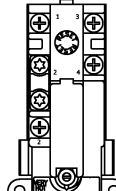
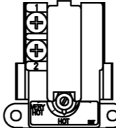
♦ Order with item 2.

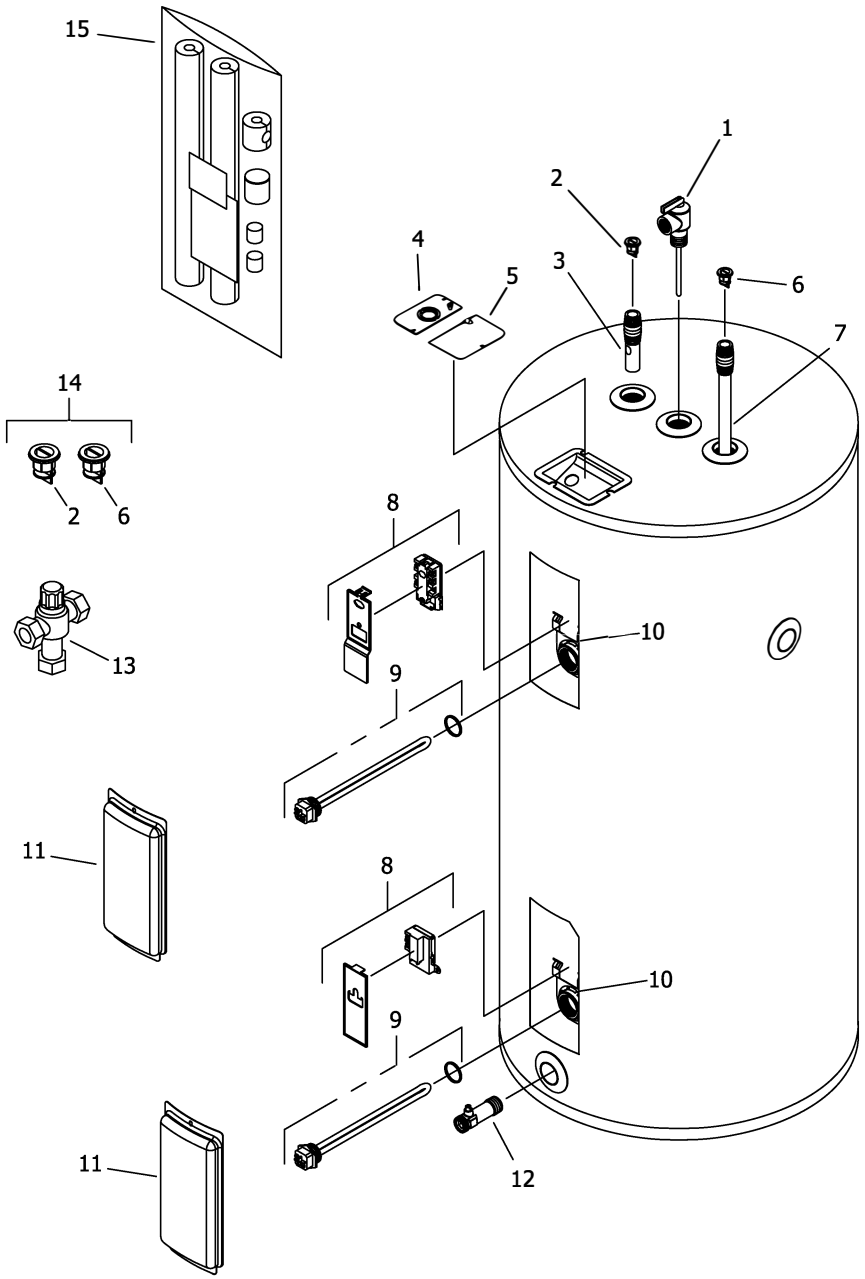
▲ Thermostat protector provided with thermostat. The thermostat mounting bracket is also provided with the thermostat.

μ For other voltage and wattage combinations, refer to heating elements on page 12 & 13.

■ Upper and lower thermostats are packaged together.

# Anode may need to be cut to length, please see page 14 for reference chart of anode length by model.

<p><b>TOP LOCATION</b></p> <ul style="list-style-type: none"> <li>• Double element water heater, non-simultaneous single phase and three phase operation.</li> </ul> <p>59T66T</p>  <p>415-51046-00</p>
<p><b>TOP LOCATION</b></p> <ul style="list-style-type: none"> <li>• Double element water heater, simultaneous operation.</li> </ul> <p><b>BOTTOM LOCATION</b></p> <ul style="list-style-type: none"> <li>• Single element water heater.</li> <li>• Double element water heater, non-simultaneous three phase operation.</li> <li>• Double element water heater, simultaneous operation.</li> </ul> <p>59T66T</p>  <p>415-50691-00</p>
<p><b>BOTTOM LOCATION</b></p> <ul style="list-style-type: none"> <li>• Double element water heater, non-simultaneous single phase operation</li> </ul> <p>59T</p>  <p>415-51046-00</p>



Item	Description	Model RE340T	Model RE350T	Model RE380T	Model RE3120T
1	T&P Relief Valve	415-40594-02	415-40594-02	415-40594-02	415-40594-02
2	Heat Trap Insert (Outlet)	415-45167-00	415-45167-00	415-45167-00	415-45167-00
3	Hot Water Outlet Anode (Magnesium) ♦#	415-47776-19	415-47776-25	224-47776-27	415-47780-01
	Hot Water Outlet Anode (Aluminum) ♦#	415-32999-28	415-32999-43	415-32999-28	415-32999-28
	Hot Water Outlet Anode (A420 Aluminum) ♦#	415-49560-10	415-49560-11	415-49560-10	222-49560-10
4	Cover Conduit/Ground w/ Ground Screw	239-55386-00	239-55386-00	239-55386-00	239-55386-00
5	Cover Junction Box	243-39452-00	243-39452-00	243-39452-00	243-39452-00
6	Heat Trap Insert (Inlet)	415-51556-00	415-51556-00	415-51556-00	415-51556-00
7	Cold Water Inlet Tube PEX ♦♦	415-51230-35	415-51718-05	415-51230-33	415-45032-01
8	Upper Thermostat with High Limit (59T66) & Protector ▲■	415-51046-00	415-51046-00	415-51046-00	415-51046-00
	Lower Thermostat (59T) w/ Protector ▲■	415-51046-00	415-51046-00	415-51046-00	415-51046-00
	Lower Thermostat with High Limit (59T66) ▲	415-50691-00	415-50691-00	415-50691-00	415-50691-00
9	Heating Element 240V 4500W w/ Gasket μ (qty 2)	415-48642-00	415-48642-00	415-48642-00	415-48642-00
10	Thermostat Mounting Bracket	415-50689-00	415-50689-00	415-50689-00	415-50689-00
11	Access Cover	221-36618-02	221-36618-02	221-36618-02	221-36618-02
12	Brass Drain Valve	415-51684-02	415-51684-02	415-42351-04	415-42351-04
13	ASSE Approved Mixing Valve	239-51778-00	239-51778-00	239-51778-00	239-51778-00
14	Kit-Heat Trap Insert (PEX)	265-51572-00	265-51572-00	265-51572-00	265-51572-00
15	Insulation Kit	---	---	239-48949-00	239-48949-00

♦ Order with item 2.

♦♦ Order with item 6.

▲ Thermostat protector provided with thermostat. The thermostat mounting bracket is also provided with the thermostat.

μ For other voltage and wattage combinations, refer to heating elements on page 12 & 13.

■ Upper and lower thermostats are packaged together.

# Anode may need to be cut to length, please see page 14 for reference chart of anode length by model.

**Heating Elements (Copper) for:  
Residential Series (RE)  
Light Duty (LE) Commercial Series  
Medium Duty (E32) Commercial Series  
Commercial (MII) Series**

Wattage	120 Volt	208 Volt	240 Volt	277 Volt	380 Volt
1000W ▲	415-42540-01	415-42544-01	415-42546-01	N/A	N/A
1250W ▲	N/A	N/A	415-42544-13	N/A	N/A
1500W ▲	415-42540-02	415-42544-03	415-42544-01	N/A	N/A
1500W (LWD) ▲	415-42540-03	N/A	415-42544-02	N/A	N/A
2000W ▲	415-42540-04	415-42544-04	415-42544-03	N/A	N/A
2500W ▲	415-42540-05	415-42544-06	415-42544-04	N/A	N/A
3000W ▲	415-42540-07	415-42544-14	415-42544-05	N/A	N/A
3500W ▲▲	N/A	415-42544-08	415-42544-06	N/A	N/A
3800W ▲▲	N/A	N/A	415-42546-10	N/A	N/A
4000W ▲▲	N/A	415-42544-16	415-42544-14	N/A	N/A
4500W ▲▲	N/A	415-42544-12	415-42544-08	N/A	N/A
4500W (LWD) ▲▲	N/A	N/A	415-51333-09	N/A	N/A
5000W ▲▲	N/A	N/A	415-42544-10	N/A	N/A
5500W ▲▲	N/A	N/A	415-42544-16	N/A	N/A
6000W ▲▲	N/A	N/A	415-42544-12	N/A	N/A
Element gasket ^	223-34019-00	223-34019-00	223-34019-00	223-34019-00	223-34019-00
Element plug	223-34020-00	223-34020-00	223-34020-00	223-34020-00	223-34020-00

(LWD) = Low Watt Density

- ▲ For 12" Diameter tanks and above.
- ▲▲ For 14" Diameter tanks and above.
- \* For 16" Diameter tanks and above.
- \*\* For 18" Diameter tanks and above.
- ^ Element gaskets included with elements.

**Heating Elements (Copper) for:  
Residential Series (RE)  
Light Duty (LE) Commercial Series  
Medium Duty (E32) Commercial Series  
Commercial (MII) Series**

Wattage	120 Volt	208 Volt	240 Volt	277 Volt	380 Volt
1000W ▲	415-42540-01	415-42544-01	415-42546-01	N/A	N/A
1250W ▲	N/A	N/A	415-42544-13	N/A	N/A
1500W ▲	415-42540-02	415-42544-03	415-42544-01	N/A	N/A
1500W (LWD) ▲	415-42540-03	N/A	415-42544-02	N/A	N/A
2000W ▲	415-42540-04	415-42544-04	415-42544-03	N/A	N/A
2500W ▲	415-42540-05	415-42544-06	415-42544-04	N/A	N/A
3000W ▲	415-42540-07	415-42544-14	415-42544-05	N/A	N/A
3500W ▲▲	N/A	415-42544-08	415-42544-06	N/A	N/A
3800W ▲▲	N/A	N/A	415-42546-10	N/A	N/A
4000W ▲▲	N/A	415-42544-16	415-42544-14	N/A	N/A
4500W ▲▲	N/A	415-42544-12	415-42544-08	N/A	N/A
4500W (LWD) ▲▲	N/A	N/A	415-51333-09	N/A	N/A
5000W ▲▲	N/A	N/A	415-42544-10	N/A	N/A
5500W ▲▲	N/A	N/A	415-42544-16	N/A	N/A
6000W ▲▲	N/A	N/A	415-42544-12	N/A	N/A
Element gasket ^	223-34019-00	223-34019-00	223-34019-00	223-34019-00	223-34019-00
Element plug	223-34020-00	223-34020-00	223-34020-00	223-34020-00	223-34020-00

(LWD) = Low Watt Density

- ▲ For 12" Diameter tanks and above.
- ▲▲ For 14" Diameter tanks and above.
- \* For 16" Diameter tanks and above.
- \*\* For 18" Diameter tanks and above.
- ^ Element gaskets included with elements.

## Reference Chart of Anode Length by Model

Model	AOD Anode Cut (End to end)		Hex Head Anode Cut Length (End to end)	
	Inches	Millimeters	Inches	Millimeters
RE240S	39.13	994	---	---
RE250S	39.13	994	---	---
RE330S	39.13	994	---	---
RE340S	39.13	994	---	---
RE350S	39.13	994	---	---
RE250T	44.63	1133.6	43.5	1105
RE255T	---	---	47	1194
RE120L	20.63	524	---	---
RE130L	---	---	23	584
RE230LN	---	---	23	584
RE240L(N)	---	---	23	584
RE250L(N)	---	---	23	584
RE340T	44.63	1133.6	---	---
RE350T	44.63	1133.6	---	---
RE380T	51.63	1316	---	---
RE3120T	50.81	1291	---	---



## United States

---

**Sales** 1-800-523-2931  
**Technical Support** 1-800-334-3393  
**Email** [techsupport@bradfordwhite.com](mailto:techsupport@bradfordwhite.com)  
**Warranty** 1-800-531-2111  
**Email** [warranty@bradfordwhite.com](mailto:warranty@bradfordwhite.com)  
**Service Parts** 1-800-538-2020  
**Email** [parts@bradfordwhite.com](mailto:parts@bradfordwhite.com)

## Canada

---

**Sales** 1-866-690-0961 1-905-203-0600  
**Fax** 905-636-0666  
**Warranty** 1-800-531-2111  
**Email** [warranty@bradfordwhite.com](mailto:warranty@bradfordwhite.com)  
**Technical Support** 1-800-334-3393  
**Email** [techsupport@bradfordwhite.com](mailto:techsupport@bradfordwhite.com)  
**Service Parts and Orders** [ca.orders@bradfordwhite.com](mailto:ca.orders@bradfordwhite.com)

For U.S. and Canada field service, contact your professional installer or local Bradford White sales representative.

## International

---

**General Contact** [international@bradfordwhite.com](mailto:international@bradfordwhite.com)