

Brute® FT



Common Vent Kits

For BFTHW 301-399 Boilers

D2027000 D2027100

D2027200 D2027300



Date:

Project #:

Engineer:

Prepared By:

Bid Date:

Submittal Data

Project Name:

Location:

Contractor:

Standard Features

- Polypropylene material for venting condensing gas-fired boilers
- Allows up to four FT Series boilers to be attached to a common vent
- Starter kits for two boilers for exhaust and air intake
- Extension kits to add 1 boiler to a starter kit for exhaust and air intake
- May be used with horizontally- or vertically-terminated vent systems
- Approved for both sealed combustion and direct vent applications

Sizing Data

No. of Boilers	301	399	Input MBH	Air Intake Length		Vent Length Vertical <small>(see note 2)</small>		Vent Length Horizontal <small>(see note 3)</small>	
				feet	m	feet	m	feet	m
2	2	0	600	75	23	100	31	75	23
	1	1	700	75	23	100	31	75	23
	0	2	800	75	23	100	31	75	23
3	3	0	900	75	23	100	31	75	23
	2	1	1000	75	23	100	31	75	23
	1	2	1100	75	23	100	31	75	23
	0	3	1200	75	23	100	31	75	23
4	4	0	1200	75	23	100	31	75	23
	3	1	1300	75	23	100	31	75	23
	2	2	1400	75	23	100	31	75	23
	1	3	1500	75	23	100	31	75	23
	0	4	1600	75	23	100	31	75	23

Notes:

1. Lengths shown are calculated equivalents:
90° elbows = 5 linear feet (2.4 m) of vent length
2. 70 feet (21 m) or straight polypropylene pipe and 30 feet (9 m) of polypropylene flex.
3. Flex polypropylene can only be used with vertically-terminated vent systems.

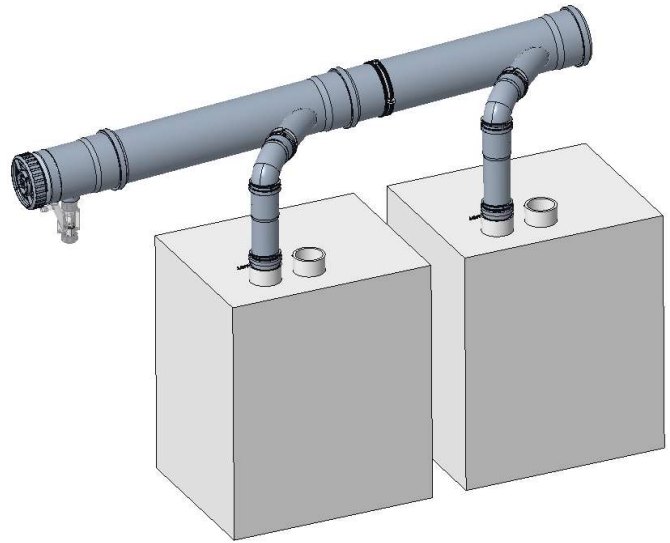
Exhaust Vent Kits

Kit Number D2027000

Use to vent 2 boilers

Components Included:

Part	Qty
6" Inline branch tee with 3" feeder	2
3" Appliance adapter PVC to PP	2
3" x 24" Vent length	2
3" x 87° Elbow	2
6" Horizontal drain fitting	1
Short john ball valve siphon	1
6" support clamp	1
3" connector ring	6
Lubricant	1



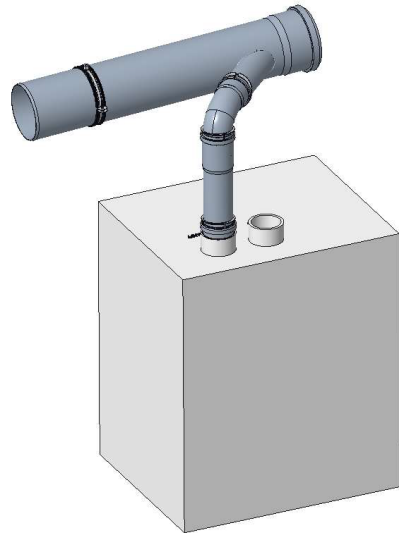
Note: Canadian installations require two non-return-valve kits D2027800 to be used in conjunction with this kit (one for each boiler). Use in U.S. installations is optional.

Kit Number D2027100

Use to add 1 boiler to starter kit

Components Included:

Part	Qty
6" Inline branch tee with 3" feeder	1
3" Appliance adapter PVC to PP	1
3" x 24" Vent length	1
3" x 87° Elbow	1
6" support clamp	1
3" connector ring	3



Note: Canadian installations require one non-return-valve kit D2027800 to be used in conjunction with this kit (one for each boiler). Use in U.S. installations is optional.

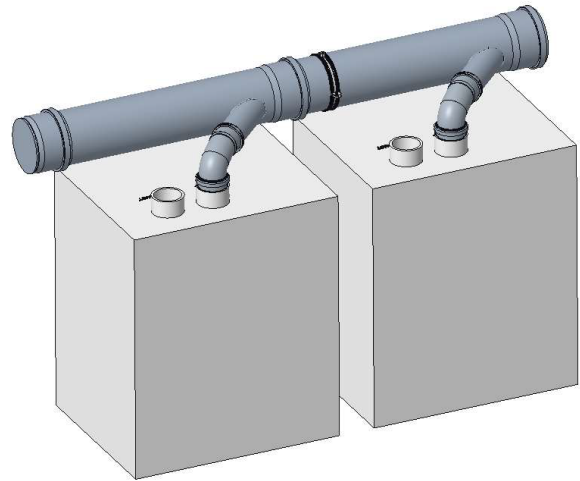
Intake Air Kits

Kit Number D2027200

Use with 2 boilers

Components Included:

Part	Qty
6" Inline branch tee with 3" feeder	2
3" Appliance adapter PVC to PP	2
3" x 87° Elbow	2
6" Tee cap	1
6" support clamp	1
Lubricant	1

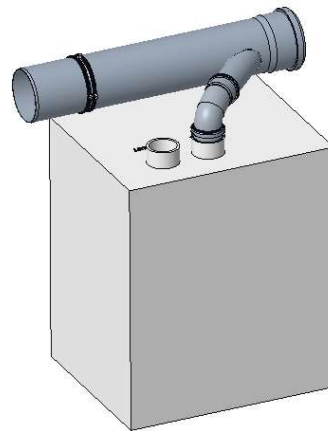


Kit Number D2027300

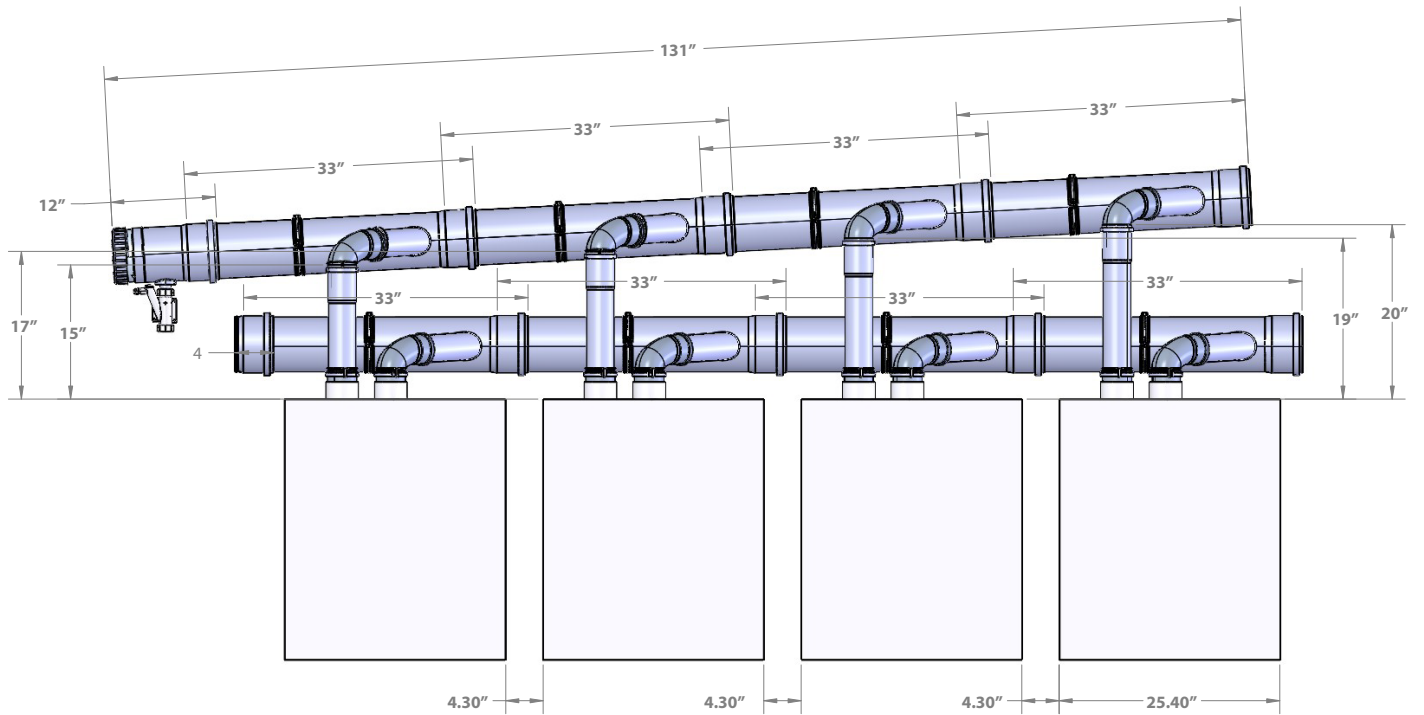
Use to add 1 boiler to starter kit

Components Included:

Part	Qty
6" Inline branch tee with 3" feeder	2
3" Appliance adapter PVC to PP	2
3" x 87° Elbow	2
6" support clamp	1



**Typical
Installed
Dimensions**



View is from back of boilers.